

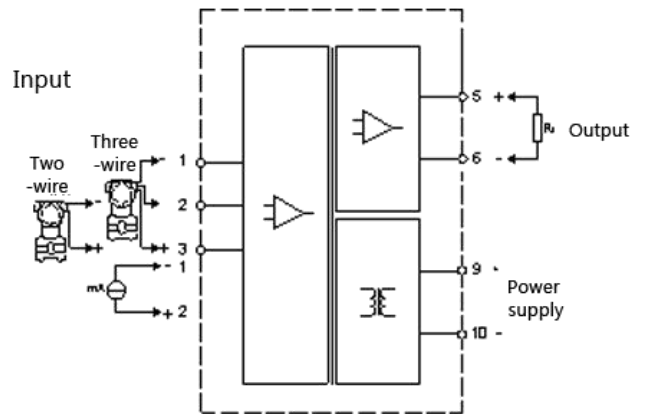
/ 602S

1.

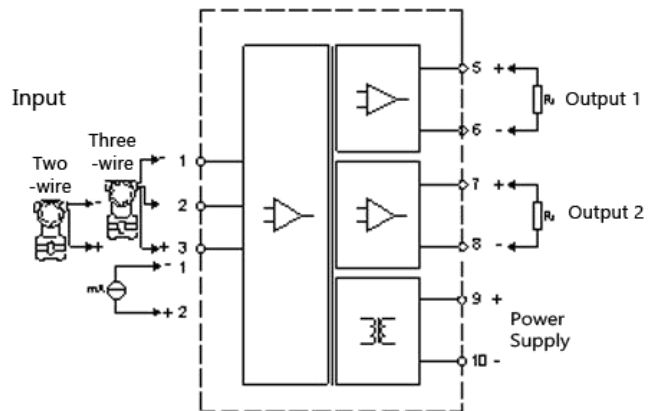
- DC : 4~20mA / 0~20mA / 0~10mA
DC : 0~10V / 0~5V / 1~5V
- : 100
- DC : 4~20mA / 0~20mA / 0~10mA
DC : 0~10V / 0~5V / 1~5V

2.

- 4~20mA / 0~20mA : 550
0~10mA : 1000
- 0~5V / 1~5V : 1M
0~10V : 2M
- 26V, 23V
- : $\pm 0.1\%F \cdot S$ ($25^{\circ}C \pm 2^{\circ}C$)
- : 40ppm /
- : 0.5s
- (1 mA,)
: 1500VAC (/ /)
- : 100M (/ /)
- : EMC conforms to IEC61326-3
- : 18~32Vdc (24Vdc)
- 1 Input / 1 Output : 0.6W
1 Input / 2 Output : 1.5W



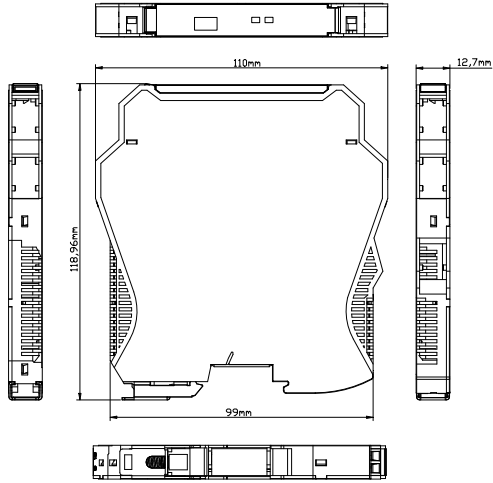
Wiring Diagram
Single-channel Input and Single-channel Output



Wiring Diagram
Single-channel Input and Double-channel Output

3.

- 1 : 12.7 x 110 x 118.9mm (WxHxD)
- 2 : 18.0 x 110 x 118.9mm (WxHxD)

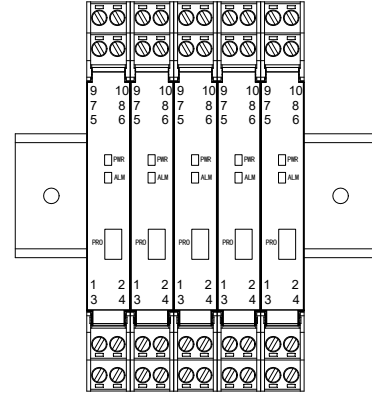


6.

- 35mm

가

□



4. LED

- PWR :

- ALM:

:

:

- 가

7.

- IEC61000-4 TYPE3

5.

- : -20~60
- : 10~90%RH (40)
- : 800hPa ~1060hPa
- : -40~80

